



PILOT-HD



Heavy Duty Construction,
Highest Power Motors and
Handmade in America
Why Look Anywhere Else?

DRAIN SAVER
KEEPS DEBRIS OUT
OF DRAINS

36 VOLT SYSTEM
RUNS FOR FULL
SHIFT

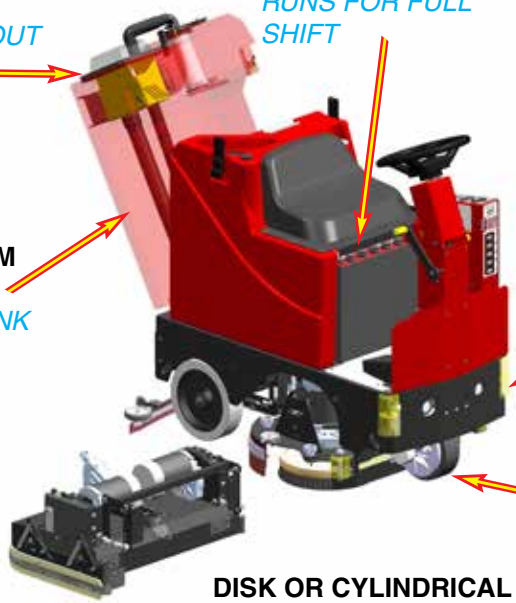
**SMALL FOOTPRINT!
CLOSE CLEANING!**

2 TANK SYSTEM
EASILY DRAIN
RECOVERY TANK

ROLLERS (6" TALL)
PROTECTS WALLS
AND KICK PLATES

HD FRONT DRIVE
CLIMB RAMPS

DISK OR CYLINDRICAL
SCRUB DECK





Series Scrubber Specifications

FC-PILOT-HD

AUTHORIZED DISTRIBUTOR

BODY CONSTRUCTION / DIMENSIONS

Tank Material:	Poly 3/8" (10 mm)
Chassis Construction:	1/8" Steel (3mm) Powder Coated Steel
Front Wheel (Diameter x Width):	8" x 3" (20 x 8 cm) - Non-Marking Solid Grey
Rear Wheels (Diameter x Width):	(2x) 12" x 3" ((2x) 31 x 8 cm) - Solid Black
Size (L x W x H):	48" x 24" x 55" (122 x 61 x 140 cm)
Weight (w/o Batteries):	525 - 575 lbs (238 - 261 kg)
Weight (w/ 245 ah Batteries):	825 - 875 lbs (374 - 397 kg)

BRUSH / PAD SYSTEM

Disk Dimensions:	26" - (2x) 13" Diameter (66 - [2x] 33 cm) 28" - (2x) 14" Diameter (71 - [2x] 36 cm)
Disk Motor:	26" & 28" - (2x) 0.75 hp / 300 rpm ([2x] 559 watts)
Disk Brush Speed:	300 rpm
Cylindrical Dimensions:	25" - (2x) 6" x 23" (64 - [2x] 15 x 58 cm) <small>6" Diameter Brush</small>
Cylindrical Motor:	(2x) 0.75 hp / 350 rpm ([2x] 559 watts)
Cylindrical Brush Speed:	750 rpm
Actuator Rating:	500 lbs (227 kg)
Brush Pressure Settings:	(5) with Auto Adjust
Brush Down Pressure:	Up to 150 lbs (68 kg)

POWER SYSTEM

System Voltage:	36 VDC
Standard Battery:	175 ah WET
Optional Battery:	225 ah WET / 215 ah AGM
Run Time:	Up to 4.0 Hours**
<small>**Run times are based on continuous scrubbing run times.</small>	
Charger:	120VAC / 60 Hz Input - 36VDC / 25 amp Output

DRIVE SYSTEM:

Power:	0.75hp - All Gear / Sealed (559 watts)
Forward Speed:	0 - 320 ft/min (4 mph) 0 - 98 m/min (6 km/h)
Reverse Speed:	0 - 230 ft/min (3 mph) 0 - 70 m/min (5 km/h)

SOLUTION / RECOVERY SYSTEMS:

Solution Tank Capacity:	22 Gallons (83 liters) - w/ Graduated Site Tube
Solution Flow / Filter:	0 - 1.0 GPM / Stainless Inline (0 - 4 LPM)
Recovery Tank Capacity:	23 Gallons (87 liters) - 2" diameter Drain Hose
Demisting Chamber:	1.25 Gallons (5 liters)
Drain Saver:	30 cubic inches (492 cubic cm)
Vacuum Power:	1.0 hp / 2 Stage (740 watts)
Vacuum Specs (Water Lift / Airflow):	68" / 72 cfm (173 cm / 2 cm/m)
Squeegee:	36" Curved w/ 4-sided Rear Blade & Quick Change Latch

GENERAL:

Cleaning Width:	26" & 28" - Disk (66 & 71 cm) 25" - Cylindrical (64 cm)
Decibels:	67 dB
Productivity - Theoretical:	Up to 40,000 sqft (3,716 sqm)***
<small>***Productivity is based off of ISSA 2010 Cleaning Times</small>	
Productivity - Practical:	Up to 18,519 sqft (1,721 sqm)***
<small>***Productivity is based off of ISSA 2010 Cleaning Times</small>	
Seat with Switch Included	



www.factorycat.com
Phone: (800) 634-4060
International: (+001) 262-681-3583